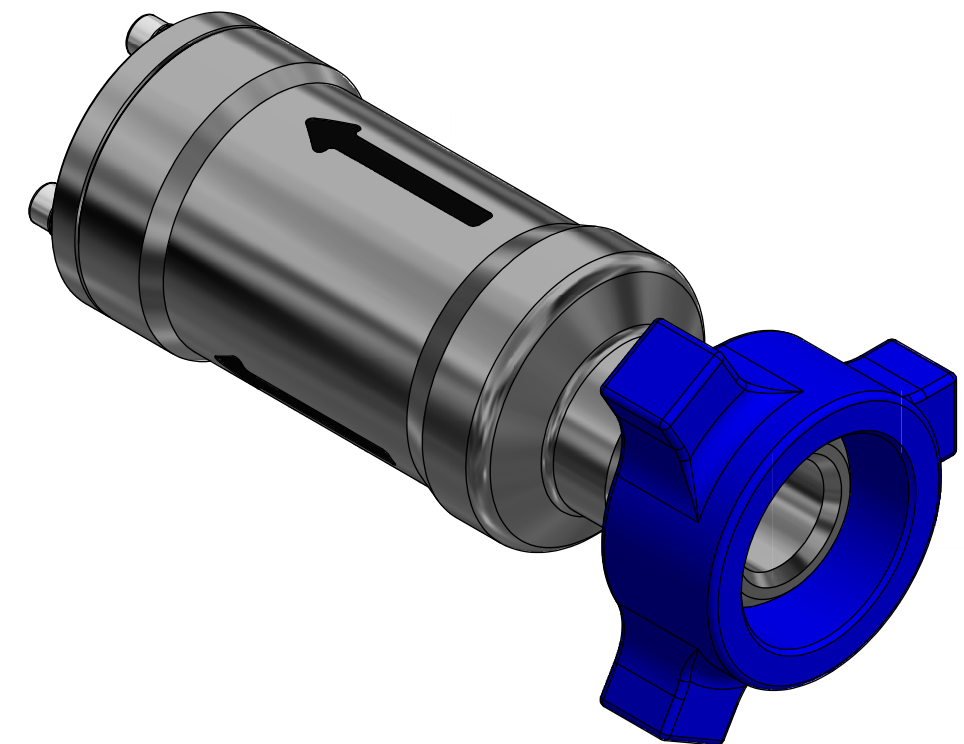
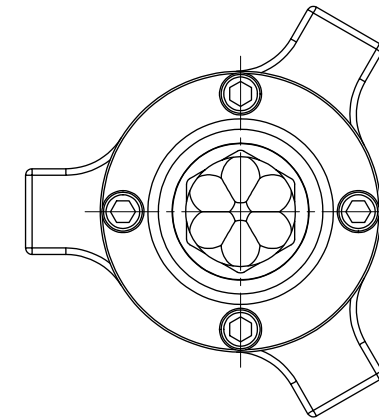
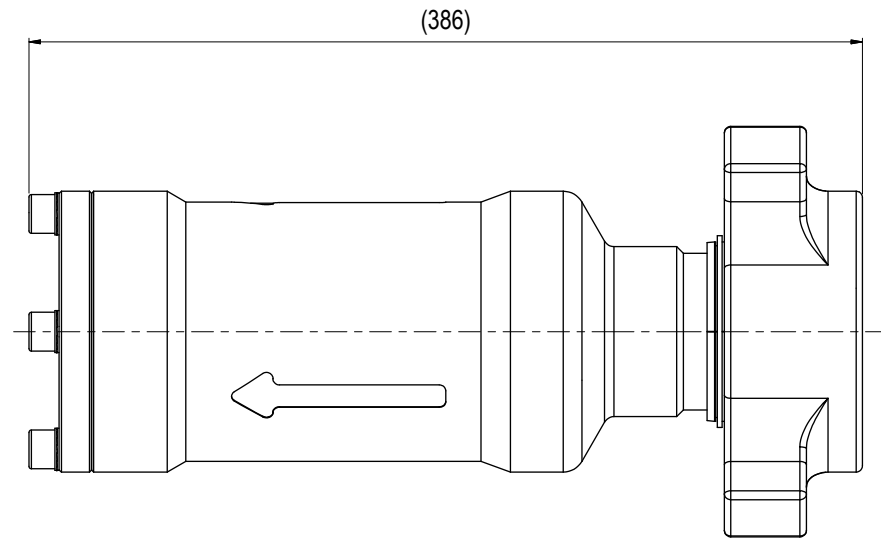
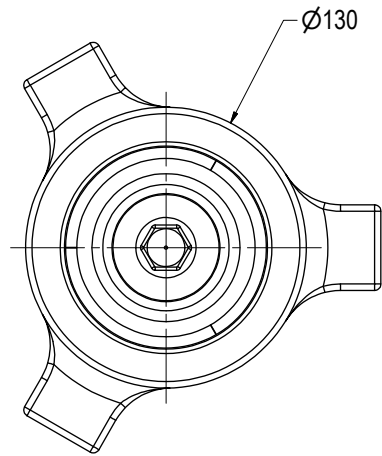


NOTE: 1
 ADDITIONAL INFORMATION:
 Pressure Setting 2-10bar

NOTE: 2
 TECHNICAL CLASSIFICATION:
 Article Type: 007-Valves
 Main Group: 7.01. One Way Valves
 Intermediate Group: 7.39.07. 2"
 Sub Group: 7.39.208.02. 2+ -10 Bar

NOTE: 3
 INTERFACE INFORMATION:
 Pressure Rating Bar: 690
 Material: Intervention
 Weight: 23,9 kg
 Volume: 3,07 dm³
 Surface Area: 5294 cm²
 Hydraulic: 2" Weco 1502
 Mechanical: N/A
 Electrical: N/A
 Com. & Protocol: N/A



03	18.5.2022	9-IFU (Issued for Use)		WTJ	HNJ	WTJ
02	29.1.2018	9-IFU (Issued for Use)		WTJ	LAE	WTJ
01	6.6.2016	9-IFU (Issued for Use)		HNJ	WTJ	HNJ
Rev.	Date	Reason for issue	Revision change	Made	Chk'd	Appr.



Dwg Scale:
 NTS
 Dwg Proj:
 Dwg Format:
 A3

Drawing title:
 2" Check Valve Fig. 1502 10k 6,5Bar Crack Pr. Open
 Outlet

Drawing number:
 BA8683

Rev.
 03